



FAST Panic exit devices

Mortice version



The range FAST Touch and FAST Push Mortice versions

FAST Touch



FAST Push

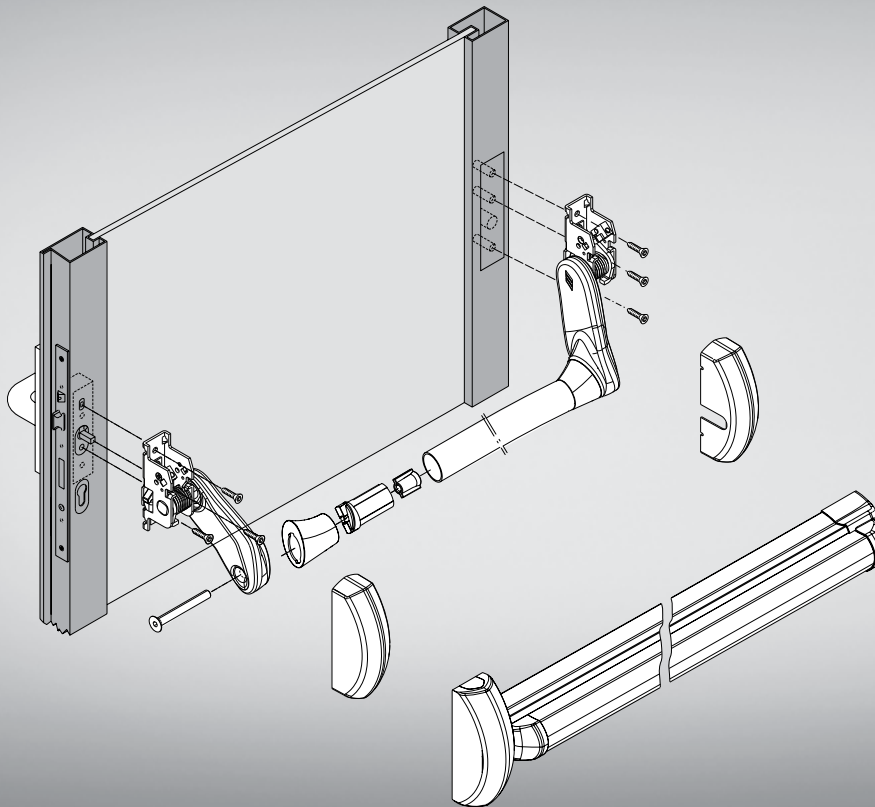


Mortice version panic exit devices.

The latest solution available for emergency exit system management. This system combines a panic exit device with a special panic function mortice type lock, with the panic exit device being the only visible element. The result is a complete, certified system combining maximum anti-burglary security with a stylish, beautifully clean design.

INCREASED PROPERTY SECURITY

FAST panic exit device installation in combination with SikurExit, the multipoint, panic function lock for aluminum doors, and with Exitlock, the panic function lock for armored doors in heavy human traffic buildings ensures the greatest anti-burglary protection allowing at the same time quick exit from the building in case of danger.



FAST Touch

TECHNICAL FEATURES

- Painted aluminum/aluminum alloy cover.
- Painted aluminum bar, adjustable in length down to 300 mm on all models.
- Galvanized steel internal components suitable for fire doors.

STANDARD CONFIGURATION OPERATION

- From the inside: by pressing the bar.
- From the outside: with the key and/or handle.

HAND

0 = non-handed.

STANDARD EQUIPMENT

- Fixing screws.
- Installation and maintenance Instructions.
- ICIM and CE certificates of compliance.

OPTIONS ON REQUEST

- Internal and external plates.
- Version with microswitch.
- Fire door version.

Finishes: see page 6.



CERTIFICATIONS AND MARKS

The adopted technical solutions and the materials used guarantee compliance with the strictest regulatory requirements. This has enabled CISA to obtain marks and certificates including:

- CE mark according to the 89/106/EEC DIRECTIVE granted by ICIM.
- Voluntary product certification granted by the independent certifying body ICIM according to the same standard UNI EN 1125.

FAST Push

TECHNICAL FEATURES

- Painted aluminum/aluminum alloy cover.
- Stainless steel or painted steel length-adjustable bar (to be ordered separately).
- Galvanized steel internal components suitable for fire doors.

STANDARD CONFIGURATION OPERATION

- From the inside: by pressing the bar.
- From the outside: with the key and/or handle.

HAND

0 = non-handed.

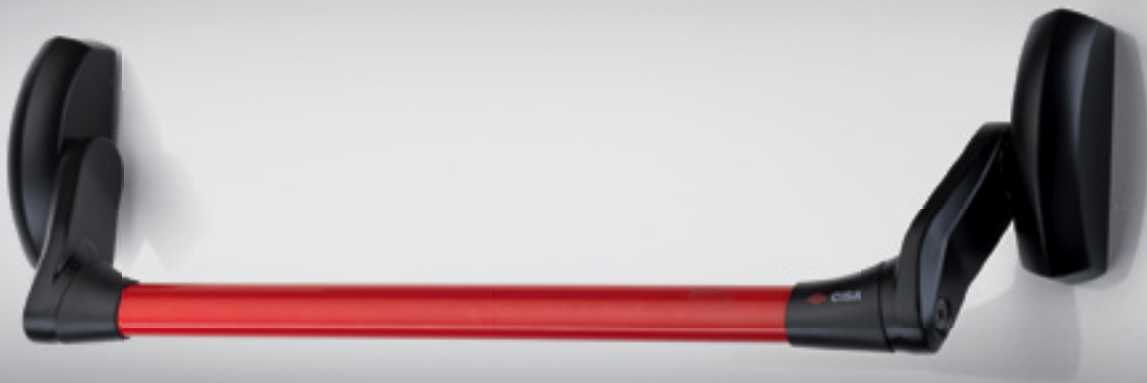
STANDARD EQUIPMENT

- Fixing screws.
- Installation and maintenance Instructions.
- ICIM and CE certificates of compliance.

OPTIONS ON REQUEST

- Internal and external plates.
- Version with microswitch.
- Fire door version.

Finishes: see page 6.



CERTIFICATIONS AND MARKS

The adopted technical solutions and the materials used guarantee compliance with the strictest regulatory requirements. This has enabled CISA to obtain marks and certificates including:

- CE mark according to the 89/106/EEC DIRECTIVE granted by ICIM.
- Voluntary product certification granted by the independent certifying body ICIM according to the same standard UNI EN 1125.

Finishes

So much more than technology. The focus on design and color combination makes of CISA panic exit devices highly versatile products - ideally matching any surrounding environment.

PVD finishes in particular manage to successfully combine stylishness and strength.



FAST Touch and FAST Push painted finishes



RAL 3000 Red
Fin. 41



RAL 1004 Yellow
Fin. 42



RAL 6001 Green
Fin. 43



Matt Black
Fin. 44



RAL 9010 White
Fin. 45



RAL 9006 Gray
Fin. 97

Anodized finishes for FAST Touch bar



Anodized Satin-finished Aluminum
Fin. 62



Anodized Bronze
Fin. 64



Brass-plated
Fin. A1

PVD finishes for FAST Touch e FAST Push



Satin-finished Stainless Steel
Fin. C2

FAMILY FEELING

The new FAST range design is the result of the application of the principle of homogeneity - ensuring aesthetic continuity among the various types of panic exit device and allowing several different designs to coexist in the same environment.

Applicable European standards

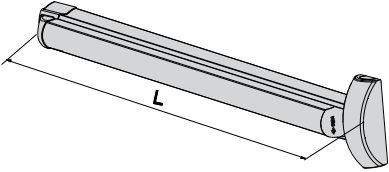
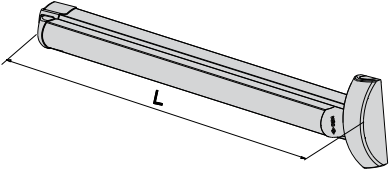
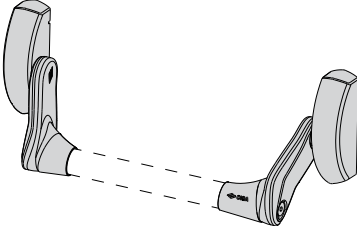


Since 2002, emergency exit systems have been regulated by two specific European standards: EN 1125 for panic exit devices and EN 179 for emergency exit devices. On 16 December 2008 the former standard EN 1125:1997:02 was updated to the NEW EUROPEAN STANDARD on panic exit devices EN 1125:2008. As a result, since 1st January 2010, only the products which have been granted a mark according to the new standard may be marketed.

CISA products have already been successfully submitted to all the required tests and on 2nd January 2009, the required new certificates were obtained for all the versions.

Main EN 1125:2008 standard prescriptions

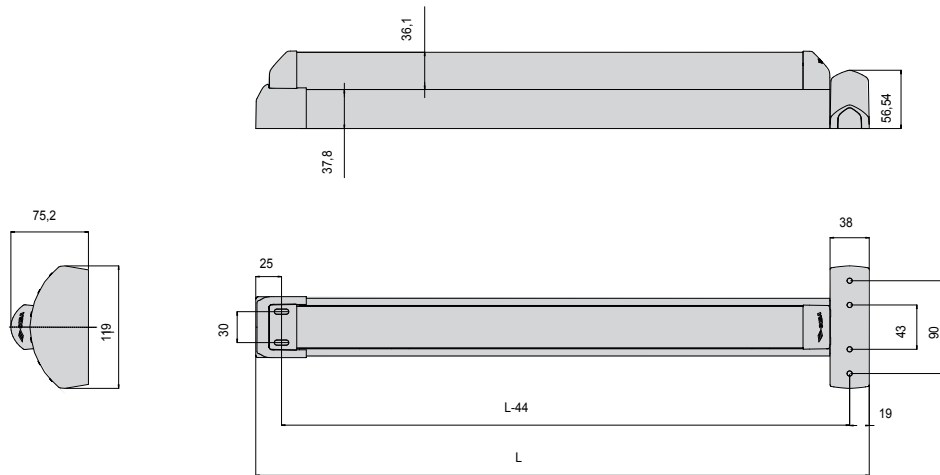
- 1) A panic exit device must allow opening at any time by anyone (including children, elderly or disabled users, etc.), by applying minimal pressure with the hands, body or anything else on any point of the horizontal bar.
- 2) A panic exit device must be applicable to public passage doors (e.g. in shops, offices, hospitals, schools etc.) and must therefore be suitable for extremely intense use.
- 3) A panic exit device, if applied on a fire door, must be able to guarantee that, after evacuation, the door will close again also in the event of extremely high temperatures.
- 4) A panic exit device must be guaranteed against corrosion.
- 5) In a panic exit device the bar projection must not exceed 150 mm.
- 6) Every panic exit device must carry: the manufacturer's name and trademark, identifying codes, applicable EU standard number (UNI EN 1125), month/year of end user installation by the manufacturer.
- 7) There may be two types of panic exit device: with a class A push-bar and with a class B touch-bar.



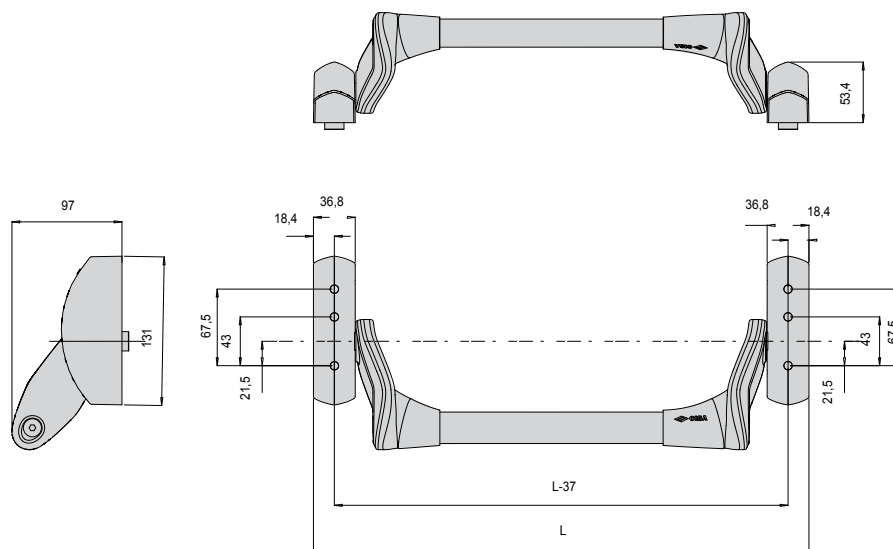
Type	Description	Square spindle L	Unit weight Kg	Pieces	ITEM				
					Type	Dim.	Hand	Fin.	Pers.
	<ul style="list-style-type: none"> To install with Mito Panic, Sicur Panic, Sikurexit, Heavy Duty Series panic function locks (for installation with fire door panic function locks, specify FR in the order). 	8/9 1200	3,100	1	1				59711 00 0
		8/9 840	3,800	1	1				59711 01 0
	<ul style="list-style-type: none"> To install with Exitlock Series panic function locks (for installation with fire door panic function locks, specify FR in the order). 	8/9 1200	3,100	1	1				59711 10 0
		8/9 840	3,800	1	1				59711 11 0
<p>STANDARD FINISH: cover: BLACK bar: RED</p>		<p>FINISHES ON REQUEST (only item 59711.00/10):</p>			<p>BAR COLOR OPTIONS (only item 59711-00/10):</p>				
<p>cover: RED bar: BLACK (fin. 41)</p>		<p>cover: YELLOW bar: BLACK (fin. 42)</p>			<p>Satin-finished anodized aluminum (fin. 62)</p>				
<p>cover: GREEN bar: BLACK (fin. 43)</p>		<p>cover: BLACK bar: BLACK (fin. 44)</p>			<p>Anodized bronze (fin. 64)</p>				
<p>cover: WHITE bar: WHITE (fin. 45)</p>		<p>cover: GRAY bar: GRAY (fin. 97)</p>			<p>Brass-plated (fin. A1)</p>				
<p>Satin-finished stainless steel PVD cover and bar (fin. C2)</p>					<p>Matt black (fin. 00)</p>				
					<p>Red (fin. 41)</p>				
					<p>Yellow (fin. 42)</p>				
					<p>Green (fin. 43)</p>				
					<p>White (fin. 45)</p>				
					<p>Gray (fin. 97)</p>				
					<p>Satin-finished stainless steel aluminum PVD (fin. C2)</p>				
	<ul style="list-style-type: none"> To install with Mito Panic, Sicur Panic, Sikurexit, Exitlock, Heavy Duty Series panic function locks (for installation with fire door panic function locks, specify FR in the order). 	2,500	1	1					59607 10 0
		<p>STANDARD FINISH: painted BLACK</p>		<p>FINISHES ON REQUEST:</p>					
		<p>painted RED (fin. 41)</p>							
		<p>painted YELLOW (fin. 42)</p>							
		<p>painted GREEN (fin. 43)</p>							
		<p>painted WHITE (fin. 45)</p>							
		<p>painted GRAY (fin. 97)</p>							
		<p>satin-finished stainless steel aluminum PVD (fin. C2)</p>							
	<ul style="list-style-type: none"> Stainless steel oval shaped horizontal bar 	L = 900	0,800	1	1				07007 60 0
		L = 1200	1,100	1	1				07007 61 0
		L = 1500	1,450	1	1				07007 62 0
	<ul style="list-style-type: none"> Red painted steel oval shaped horizontal bar 	L = 900	0,800	1	1				07007 13 0
		L = 1200	0,800	1	1				07007 14 0
		L = 1500	0,900	1	1				07007 15 0
		<p>FINISHES ON REQUEST:</p>							
		<p>- painted YELLOW (fin. 42)</p>							
		<p>- painted GREEN (fin. 43)</p>							
		<p>- painted BLACK (fin. 44)</p>							
		<p>- painted WHITE (fin. 45)</p>							
		<p>- painted GRAY (fin. 97)</p>							

Type	Description	Square spindle L	Unit weight Kg	Pieces	ITEM							
					Type	Dim.	Hand	Fin.	Peris. Spec.			
	<ul style="list-style-type: none"> Black painted internal plate Suitable for installation with mortice type panic exit devices Suitable for installation with European cylinder protective roses on aluminum doors 		0,250	6	1					07076 71 0		
	<ul style="list-style-type: none"> Black painted internal plate Suitable for installation with panic exit devices Suitable for installation with European cylinder protective roses on armored doors 		0,250	6	1					07076 70 0		
	<ul style="list-style-type: none"> Black painted external plate Suitable for installation with Touch-bar panic exit devices series 59710 	72	0,250	6	1					07076 61 0		
		85	0,250	6	1					07076 62 0		
		92	0,250	6	1					07076 63 0		
	<ul style="list-style-type: none"> Black painted external plate Suitable for installation with Touch-bar panic exit devices series 59710 		0,250	6	1					07076 66 0		
<p>FINISHES ON REQUEST:</p> <table border="0"> <tr> <td> painted RED (fin. 41) painted YELLOW (fin. 42) painted GREEN (fin. 43) </td> <td> painted WHITE (fin. 45) painted GRAY (fin. 97) satin-finished stainless steel aluminum PVD (fin. C2) </td> </tr> </table>											painted RED (fin. 41) painted YELLOW (fin. 42) painted GREEN (fin. 43)	painted WHITE (fin. 45) painted GRAY (fin. 97) satin-finished stainless steel aluminum PVD (fin. C2)
painted RED (fin. 41) painted YELLOW (fin. 42) painted GREEN (fin. 43)	painted WHITE (fin. 45) painted GRAY (fin. 97) satin-finished stainless steel aluminum PVD (fin. C2)											

Drawings and dimensions



59711



59607

About Allegion

Allegion (NYSE: ALLE) creates peace of mind by pioneering safety and security. As a \$2 billion provider of security solutions for homes and businesses, Allegion employs more than 7,800 people and sells products in more than 120 countries across the world. Allegion comprises 23 global brands, including strategic brands CISA®, Interflex®, LCN®, Schlage® and Von Duprin®.

For more, visit allegion.com

 BRICARD ■ Briton ■  CISA ■  interflex