



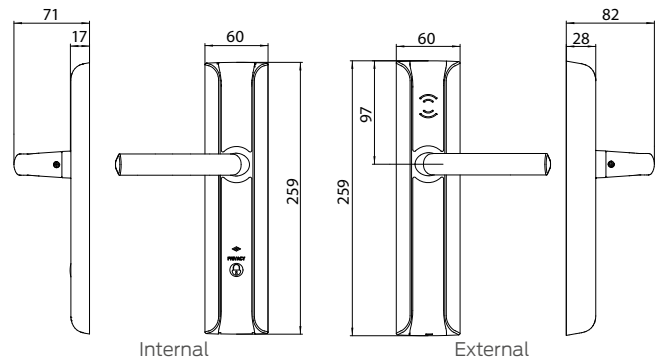
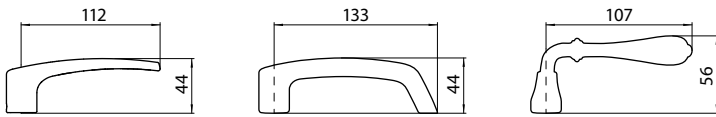
CISA eSIGNO Contactless lock

Automatic deadbolt version

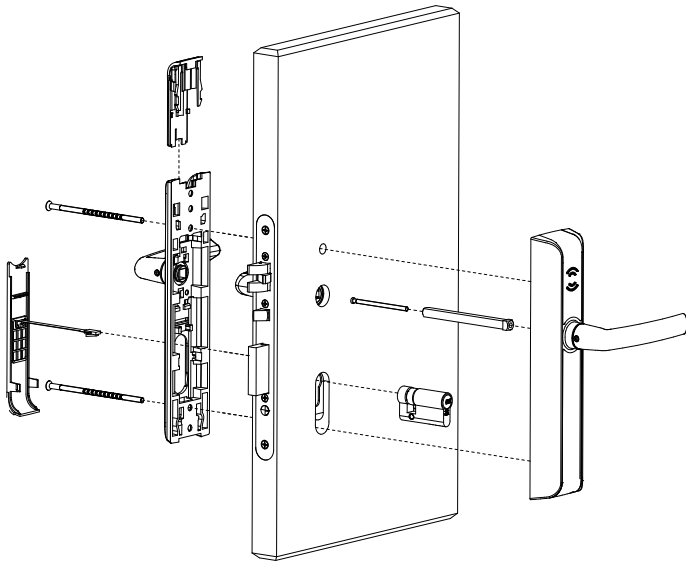
Technical sheet



Handle plate

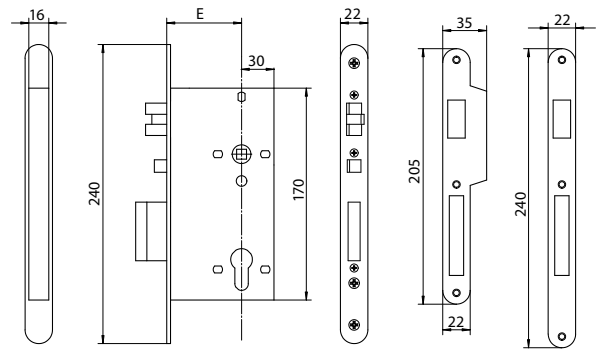


Installation



Technical drawings
all measurements are in mm.

5A504, 5A514 lock series Striker



Configuration options: 5 finishes, 3 handle types and 2 cover colours



Technical features

Intended use	Standalone battery powered contactless electronic access control for door installation.
Form factor	Reader and battery holder integrated into the external plate. Only 2 screws needed for installation.
Retrofit	Footprint designed to simplify retrofit installation. Retrofit underplate also available (386 x 72 mm).
Credentials	Contactless RFID ISO 14443B/Mifare ISO 14443A technology. Lock wake-up function activated by card from max. 2 cm.
Operating temperature	From -10°C to 70°C (with specific batteries).
Data encryption	3DES-AES encryption.
Audit trail	Previous 500 events.
Privacy	Digital privacy function activated by a push button located on the internal plate. Available for mortice lock with automatic deadbolt 5A504, 5A514 series.
Emergency override detection	Mechanical emergency opening detection and tracking.
Door ajar detection	Door left open reported.
Flashing signals	Multicolour LED on external plate for battery level, privacy status and service messages. Internal LED for privacy status.
Battery	3 x 1.5V AAA alkaline.
Durability	30,000 cycles approx. for standalone version (depending on operating conditions).
External plate	L 259 x H 28 x W 60 mm.
Internal plate	L 259 x H 17 x W 60 mm.
Weight	Packed: 2 kg including external and internal plates, handles and batteries.
Materials	External/internal plates in Zamak 3 (ZP3 in compliance with UN EN I2844). Finish on outdoor versions resistant to 24 hours in salt spray.
Plastic	PA6 / PA12. Plastic available in black or white.
Finishes	Satin silver / Polished silver / Satin bronze / Polished gold / Matt black.
Handles	Slim / Modern Return to Door / Elegance. Reversible.
Spindle size	8 mm.
Centre distance	85 mm if 5A504/5A514 series lock is used.
Mechanical emergency cylinder	Euro profile single cylinder concealed under front plastic cover. Accessible using tool supplied with the Service Kit.
Standard mechanical lock	Mortice lock with automatic deadbolt 5A504/5A514 series with antipanic function and DPR (Door Position Report). Backset 60 – 70 – 80 – 90.
Door thickness	35 – 79 mm.
Application	Indoor. Optional IP55 version for outdoors.
Life cycle	200,000 cycles.
Installation	Compatible with electric screwdrivers i.e. high torque.
Norms and regulations	Compatible with products in compliance with EN1634-1 (for fire resistant doors up to 60 minutes), EN179, EN12209, UL (European standards).
Management system	On-premise encoder (communication with locks through NFC mouse or service cards). CISA Aero cloud system with USB encoder (communication with locks through service cards).


About Allegion


Allegion (NYSE: ALLE) is a global pioneer in seamless access, with leading brands like CISA®, Interflex®, LCN®, Schlage®, SimonsVoss® and Von Duprin®. Focusing on security around the door and adjacent areas, Allegion secures people and assets with a range of solutions for homes, businesses, schools and institutions.





For more, visit allegion.com.

AXA ■ BRICARD ■ Briton ■ CISA ■ interflex ■ KRYPTONITE ■ NORMBAU ■ SimonsVoss technologies ■ TRELOCK

 CISA SpA
Via Oberdan 42
48018 Faenza (RA) Italy

 Customer Service and Technical Support
+39 0546 188 0070

 Ph. +39 0546 677111
Fax +39 0546 677150

    [cisa.com](https://www.cisa.com)
cisa.sales@allegion.com


ALLEGION™